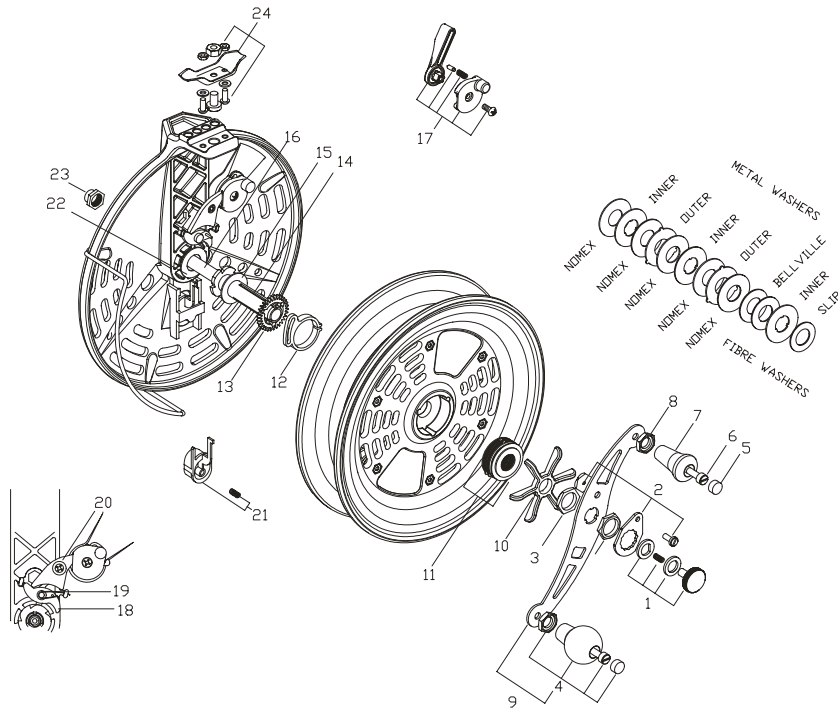


825BCV PARTS LIST



Key	Part	Description	Key	Part	Description
1	R6E4	Spindle Screw Assy	13	R5B5	Fish Alert Wheel
2	R7F3	Lock Nut Retainer	14	R7A4	Drag Friction Tube
3	R7F2	H/plate lock nut	15	R7H1	F/Tube Washer
4	R4F7	Handle Assy	16	R6A18	Spindle
5	R4H2	Handle Plug	17	R5C7	On/Off Lever Assy
6	R4E9	Handle Screw	18	R7J4	Drag Pawl
7	R4D4	Handle Only	19	R5G3	Drag Pawl Spring
8	R4G2	Handle Lock Nut	20	R5K1	Drag On/Off Cam
9	R7E18	Handle Plate Assy	21	R5E10	Fish Alert Assy
10	R7D11	Star Nut	22	R6J7	Spindle Washer
11	R7BC15	Clutch Washer Set	23	R6F3	Dome Nut
12	R7L1	Silent Drag Cam	24	R2C5	Base & Screws



Graphite Backed Reels

Vented Star Drag Model 825BCV

AUSTRALIAN MADE & AUSTRALIAN OWNED

Congratulations and thank you for purchasing one of our new vented reels as your choice of fishing reel. These reels are constructed from the highest quality materials to ensure your reel will last for many years.

Special Features

- Off Set Handle Plate
- Vented Back
- New Belleville Power Washer & Multi-plate Clutch
- Cam Operated On/Off Drag Switch
- Vented Fibreglass spool

Plus all these other advantages -

High speed recovery: Offset handle plate allows for extra fast retrieve on unbaited rig. Allows you to rebait and be back fishing in a flash.

Control large fish with ease: Powerful one-to-one direct wind means you only need about a quarter of the effort required to lift a similar weight on a spinning reel.

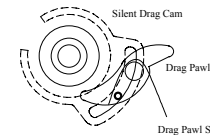
You can fish harder and longer: Simple, rugged construction means you can forget that fiddly maintenance, because your Alvey reel will resist the effects of salt water and sand.

More comfortable fishing: Low winch-mount rods let you fish with your arms in a relaxed position.

No line twist: Use a small free-running swivel as the last piece in any rig and you'll never have line twist. (See illustrations inside)

Alvey 5 Year Guarantee: Any faulty Alvey part or reel will be replaced at no charge providing the manufacturer finds the part or reel has had normal usage and attention.

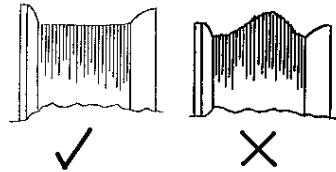
Does your reel click when winding ?



Ensure that Drag pawl pin is inside of silent drag cam slot or reel will click when winding. Spring should be in front of pin for correct operation of the drag. When assembling reel have drag in OFF position.

Recommended Line Size

Your 825BCV reel will hold approximately 600 metres of 23kg line. If fishing near rocks or other hazards use heavier line to help avoid line breakage.



Filling the Spool with Line

Always take the line from the front of the dispenser, never the side.

Wind firmly and evenly onto the spool, spreading the line with your fingers to give a smooth casting base.

Never stretch a nylon monofilament onto a spool; when it goes back to its original length it will exert strong enough crushing action to damage your spool.

Never allow loose coils to develop on your spool through careless uneven winding.

Adopt the habit of applying light finger tension when retrieving line and spread evenly over its bed.

Selecting a Rod

Your rod and reel outfit should be balanced so you can hold it comfortably over long periods. A matched set, which has a point of balance where it's held in the left hand, will give you the most comfortable posture. The ideal rod for this reel should be 2.0 to 2.5m in length. The use of a short butt brings the reel into a natural position for rewinding with your elbows at your side and without strain.

The ideal rod for your new reel is the Alvey Deep Sea Rod 925. Made from solid glass and quality fittings to withstand the harsh treatment dealt out by large, hard hitting reef fish.

Deep Water Angling

The successful methods and rigs used in ocean and bay fishing differ very greatly in each area studied. Consequently there can be no hard and fast instructional rigs shown. There is no substitute for obtaining knowledge from someone who has regular good results in the locality. We can assure you that your introduction to rod and reel in this type of fishing will bring you more proficient angling and greater enjoyment from each fish caught.

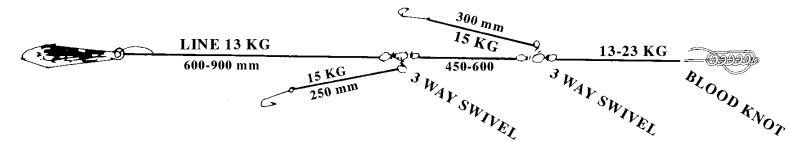
The size of your catch will always depend to a large degree on the knowledge and ability of the helmsman to correctly position the boat on good feeding grounds, some of which are not easily located in ocean waters. However, there are some features which have been found to be advantageous in many areas and we list a few of your guidance. Before selecting a position on the boat, assuming it is a large charter vessel, enquire whether the fishing will be done while anchored or drifting.

When lying at anchor the prime position is undoubtedly at the stern, yet when drift fishing you will be better placed in the centre side of the boat. Reef fishing causes constant fouling of the gear, the customary rig would have the lead weight attached to the extreme end of the rig, with a line of lesser strain than the mainline. This allows the weight to break free without large loss of line. The hooks can be joined to the mainline with a blood loop dropped knot, or double overhand loop knot, but we prefer to advise the use of three-way swivels which are as small as practicable.

Rigs & Swivels

When used properly a brass swivel is a very inexpensive and efficient way to keep a fishing line in good condition. Curls and twists in a line can be caused by many things, but can be kept to a minimum by the correct use of a swivel

RIG FOR SNAPPER AND REEF FISH



ALVEY 'BCV' SERIES Non-Reversing Drag Models

The non-reverse series of reels allows line to be released under a preset pressure while the reel handle remains in a stationary position. The BCV models incorporate the new *Belleville Power Washer* that improves the range of tension settings available through the star drag system. The star on the front of the reel allows easy adjustment while playing a fish. The lever on the back of the reel operates the cam activated on/off mechanism that allows you to disengage the non-reverse action when required.

Setting the Drag

Make sure the drag activating lever on the back of the reel is in the 'On' position. Using a small spring balance to pull the line off the reel. Set the tension of the drag to be approximately one third of the breaking strain of your line by rotating the star drag tensioner on the front of the reel. (Clockwise to increase tension.)

It is better to have the drag set light as a short sharp run from a large fish could snap the line on an over set drag.

The star drag is easily adjusted while fighting the fish, and the unique style of the Alvey reel allows extra drag pressure to be applied directly to the spool by using the palm of your hand against the bottom of the reel.

Playing the fish

Once the fish has been hooked always keep a bend in the rod by holding it at an angle to the fish. With the power of an Alvey reel you are in control. Do not rush the fish. Allow the drag to tire the fish. Many times the fish is lost at the side of the boat. Keep a steady tension on your line, a bend in the rod and ease the fish towards a landing net or gaff.

Fish Alert

When leaving the rod and reel unattended, activate the fish alert on the back of the reel by pushing the button in and up. If a fish takes line a warning noise will be heard. Turn off the alert by pushing in and down on the button.

Maintenance

Use Alvey reel lube for working spindles etc. Then light machine oil on handles and drag pawl. After each day's fishing relieve the drag tension, wash off salt and sand and lubricate as above before storage.